



# techniwell

JET-GROUTING, GROUTING AND DRILLING EQUIPMENT



# TW 600

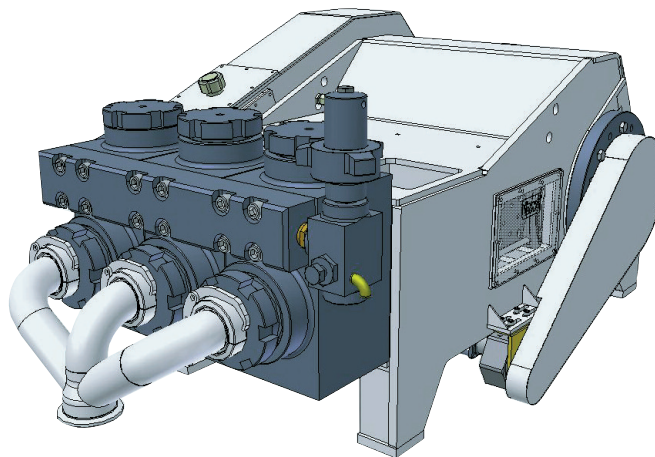
## POMPA TRIPLEX ALTA PRESSIONE HIGH PRESSURE TRIPLEX PUMP

A LAYNE CHRISTENSEN COMPANY



**Dimensioni corpo pompa TW 600  
Bare shaft TW 600 pump dimensions**

Larghezza / Width . . . . . 1.600 mm  
Lunghezza / Length . . . . . 2.480 mm  
Altezza / Height . . . . . 1.310 mm

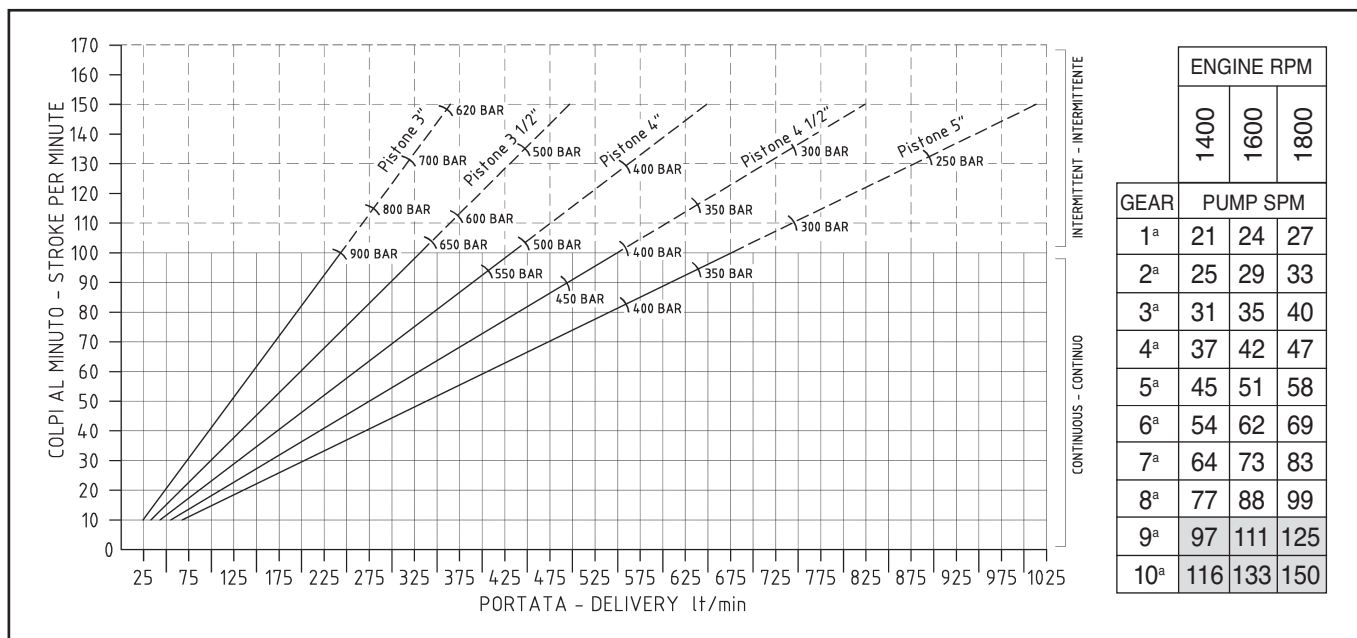


**Principali caratteristiche modello TW 600 / Main features of model TW 600**

Pressione massima / Maximum pressure . . . . . 900 bar / 90 MPa (13.050 psi)  
Portata massima / Maximum flow rate . . . . . 675 lit/min (178 gpm)  
Potenza / Diesel engine power . . . . . 589HP@1800rpm - 680HP@2100rpm  
Diametro pistoni / Piston diameter . . . . . 76,2 mm (3") - 88,9 mm (3 1/2") - 101,6 mm (4")  
114,3 mm (4 1/2") - 127,0 mm (5")  
Corsa pistoni / Piston stroke . . . . . 177,8 mm (7")  
Colpi / Stroke rate . . . . . 150/min (150 spm)  
Diametro aspirazione / Suction diameter . . . . . 127,0 mm (5")  
Diametro mandata / High pressure output diameter . . . . . 50 mm (2")

**Dimensioni e peso / Overall dimensions and weight**

Larghezza / Width . . . . . 2.438 mm (8')  
Lunghezza / Length . . . . . 6.450 mm (21' 2")  
Altezza / Height . . . . . 2.591 mm (8' 6")  
Peso / Weight . . . . . 13.500 Kg (29.760 lb)



Tecniwell S.r.l. - Via I° Maggio, 61 - 29027 Podenzano (PC) Italy  
T +39 0523 524086 - F +39 0523 524088  
E mail:info@tecniwell.com - http://www.tecniwell.com